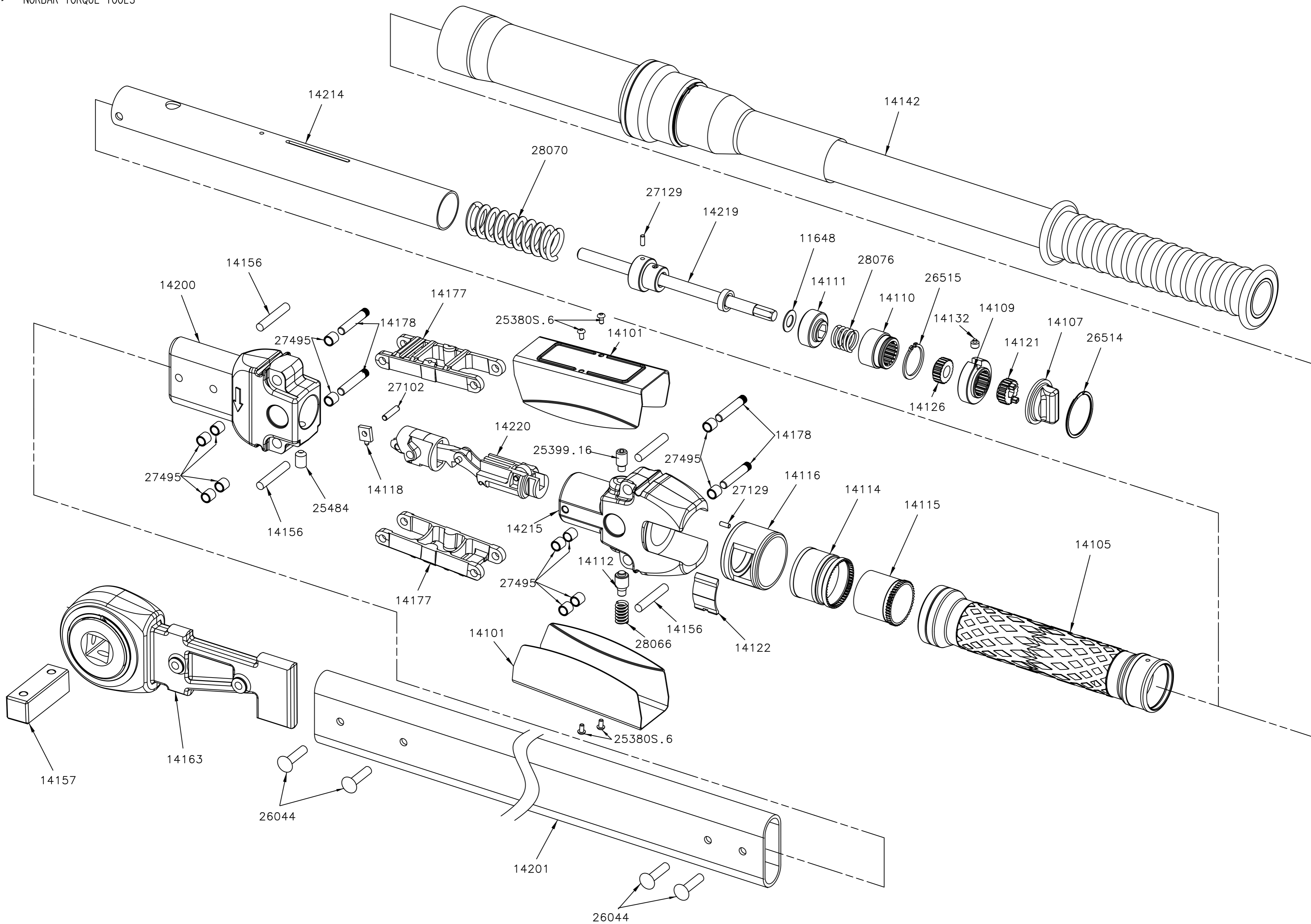
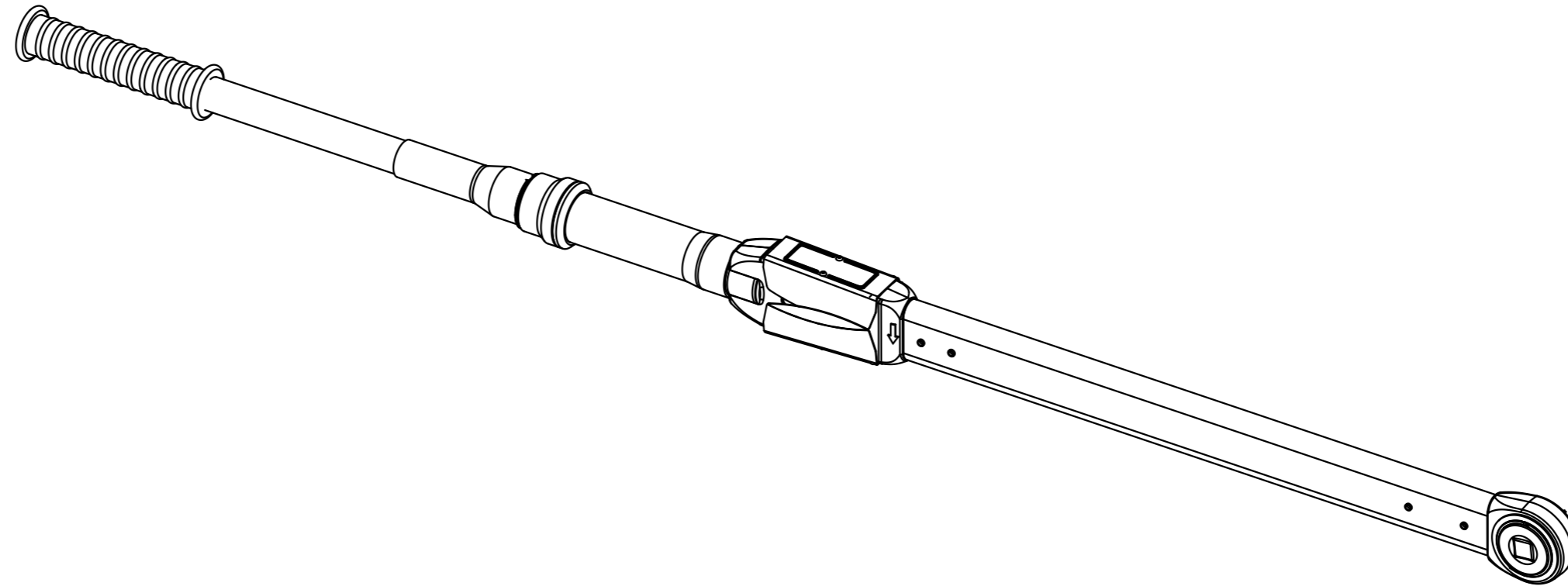


14015 - 800 ADJUSTABLE 3/4" RATCHET



14015 - 800 ADJUSTABLE 3/4" RATCHET



11648	1	THRUST WASHER SLIMLINE TW
14101	2	SADDLE PLATE MDL 550-1500
14105	1	HANDLE SLEEVE MODEL 550-1500
14107	1	HANDLE LOCKING KNOB MDL 550-1500
14109	1	HANDLE DRIVE COLLAR MDL 550-1500
14110	1	HANDLE ARBOR MDL 550-1500
14111	1	LOCK NUT
14112	1	DAMPING PISTON MDL 550-1500
14114	1	SCALE ROTATING GEAR MDL 550-1500
14115	1	STATIONARY GEAR MDL 550-1500
14116	1	SCALE MECHANISM COVER MDL 550-1500
14118	1	SECONDARY LEVER PIVOT PIN MDL 550-1500
14121	1	DRIVE SLEEVE MDL 550-1500
14122	1	SCALE LENS COVER MDL 550-1500
14126	1	HANDLE LOCKING COLLAR
14132	1	LOCKING PIN STD MDL 550-1500
14142	1	EXTENSION HANDLE ASSEMBLY MDL 550-1500
14156	4	SEAL 6MM DIA x 36LG NEO. CORD MDL 550-1500
14157	1	SQ DR ASSY 3/4 MDL 1000
14163	1	RATCHET ASSY MDL1000/1500
14177	2	LINK FRAME MDL 550-1500 UPRTED VERSION
14178	4	PIVOT PIN UPRTED
14200	1	FRONT SUPPORT BLOCK MDL800
14201	1	BODY TUBE MDL800
14214	1	HANDLE TUBE FOR MDL 550-1500 [Mk2]
14215	1	REAR SUPPORT BLOCK MDL550-1500 [Mk2]
14219	1	LARGE PROF ADJ SCR SUB ASSY
14220	1	SECONDARY LEVER ASSY FOR MDL 500-1500
25380S.6	4	M3 X 6 BUT.HD STAINLESS TUFLOK
25399.16	1	SSS M8x16LG HALF DOG POINT
25484	1	PIVOT SCREW
26044	4	RIVET SEMI-TUBE MDL 1000/1500
26514	1	CRCLP 34.1DIA SPIRAL RET RING
26515	1	CRCLP 24MM DIA EXT. TO DIN 471
27102	1	NEEDLE ROLLER 4 DIA X 17.8
27129	2	NEEDLE ROLLER DIA 3.0 x 7.8
27138	1	CYLINDRICAL ROLLER DIA 6 X 36 LG
27495	12	DU BUSH 6 I/D x 8 LONG MB0608DU
28066	1	SPRG/COMP 9.6 O/D x 14.5 LG
28070	1	COMP.SPRING 250D.x75LGx3.30WD
28076	1	HANDLE LOCKING SPRING
Part No	Qty	Description